



## Description

The GA-B is a fully graphic, Touch-Screen thermostat for various HVAC Configurations , with BACnet MS/TP and MODBUS RTU interface to B.M.S./Smart-Home.

Stylish and user modified design makes the GA-B suitable to most residential and commercial installations .

The thermostat supports :

- 6 D/O
- 2 A/O
- 2 Universal inputs (Digital / analog / temperature)
- 2 RS485 terminals for B.M.S. intrface
- 110-230VAC (available also as 24VAC model)

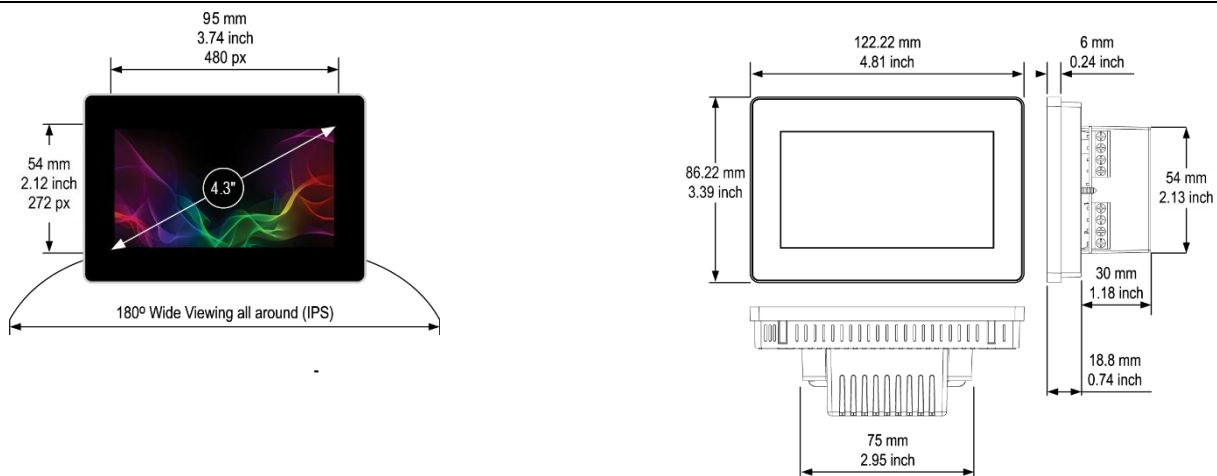
For both Fan-Coil, Air-Condition and other HVAC systems control, the GA-B will adjust its user interface and logic to the system and user. Supporting various sub-configurations of HVAC such as EC Fan, Floor-Heating, Chilled-Beams, Cool-Only, Humidity by re-heat or by outputs to dehumidifier and humidifier and many more. USB-C connector, allows quick and easy loading of logo, background image and full configuration setup. Full access to all parameters of the thermostat via the B.M.S. or from the technician settings menu, makes the commissioning and testing process easy for the installer.



## Features & Benefits

- Stylish and attractive minimalistic size design
- Vertical and horizontal mounting display (adjustable)
- Supports BACnet and MODBUS protocols
- Easy configuration for the HVAC application with DIP Switches
- I/O list:
  - 6 D/O - Maximum 3A each, 5A total
  - 2 A/O - 0-10V
  - 2 U/I
  - RS485 terminals (A/B)
  - Humidity sensor (built-in) - optional
- Color frame – black or white. Other colors available
- 110-230 VAC (24VAC version is available)
- USB-C interface for easy loading of logo, background design and configuration
- °F/°C scale
- Wi-Fi interface - optional
- Weekly program - optional
- Economy Mode
- External occupancy-sensor input
- H/P and H/C heating configurations in A/C applications
- Simple display option (larger font and easy user operation logic)
- Works with the Meitav-tec online configuration tool

## Dimensions



## Technical specifications

- |                                 |                             |
|---------------------------------|-----------------------------|
| Operating voltage               | 110-230VAC or 24VAC         |
| Temperature readings scale      | 5°C ÷ 35°C / 41°F ÷ 95°F    |
| Temperature sensor type         | NTC 50K @ 25°C / 77°F       |
| Operating temperature           | 0°C ÷ 50°C / 32°F ÷ 122°F   |
| Weight                          | 239 gr                      |
| Storage temperature             | -10°C ÷ 60°C / 14°F ÷ 140°F |
| Storage/operating humidity      | 80%RH                       |
| Plastic type (Base – option)    | PC/ABS                      |
| Flammability (Housing – option) | UL94V-0                     |

## Wiring

