



Touch Screen Wall Panel

**MTS/X500**

Owner's manual and technician settings

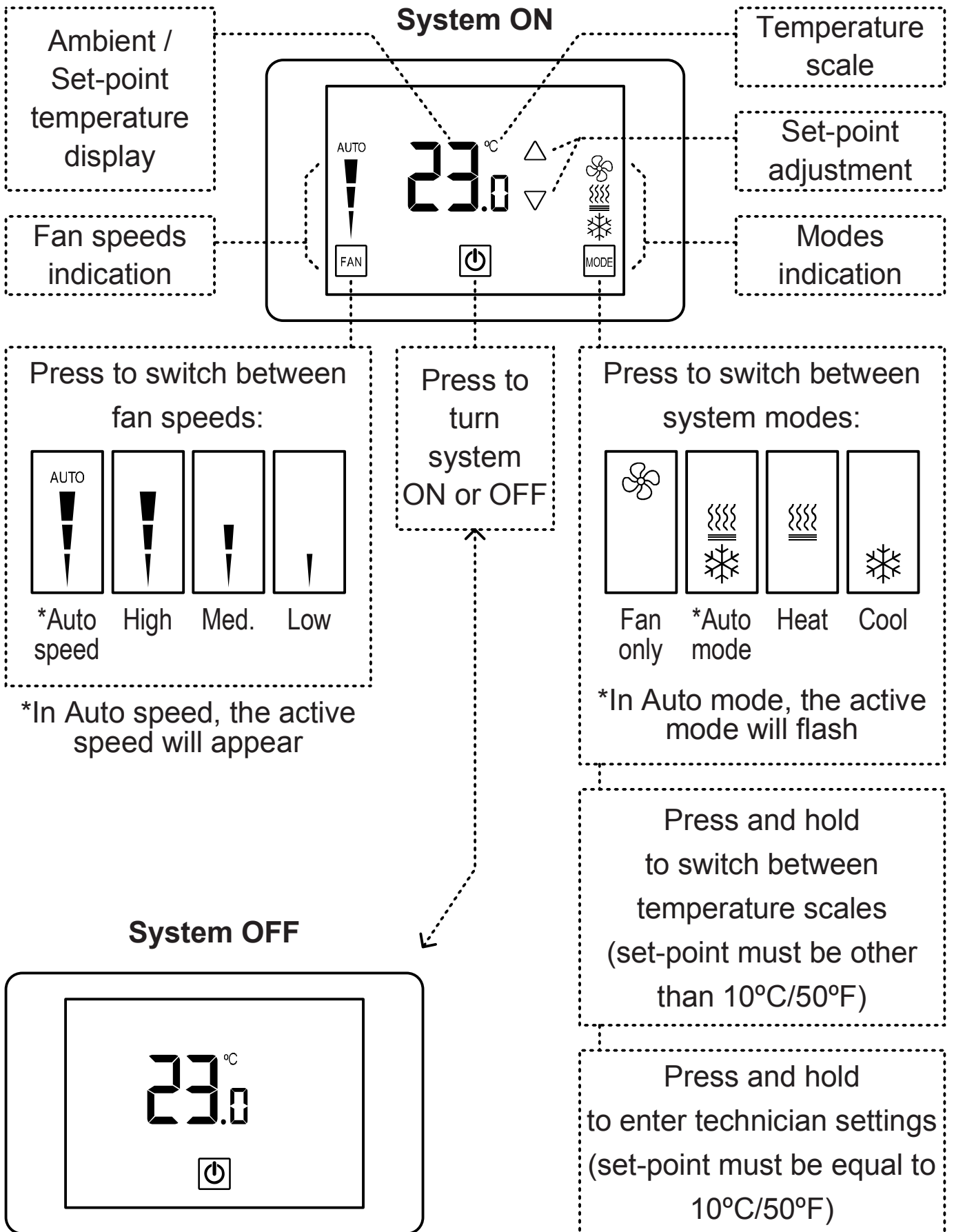


# Index

---


<b>1. Owner's Manual .....</b>	<b>3</b>
1.1 Turning the unit ON or OFF.....	4
1.2 Adjusting the set-point temperature .....	4
1.3 Switching between System modes.....	5
1.4 Switching between Fan speeds .....	5
1.5 Fan on demand (Auto fan).....	6
1.6 Faults .....	6
<b>2. Installation Instructions.....</b>	<b>7</b>
<b>3. Wiring Diagram.....</b>	<b>10</b>
<b>4. DIP Switch settings .....</b>	<b>10</b>
Switch 1 – Temperature readings from CTU or from panel .....	10
<b>5. Technician Settings .....</b>	<b>11</b>
P1 – Temperature readings offset .....	12
P2 – Enable/Disable screen dimming.....	12
P3 – Screen dimming time delay .....	13
P4 – Dimming percentage value .....	13
P5 – Display brightness.....	14
P6 – Show/Hide lighting button (CTU model dependent) .....	14
P7 – Enable/Disable the beeper .....	15
Exit technician settings and return to normal display.....	15

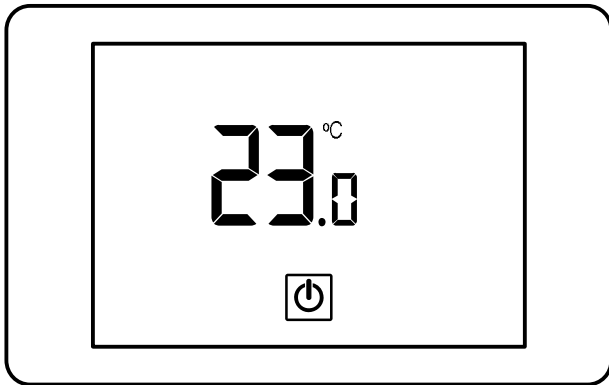
# 1. Owner's Manual



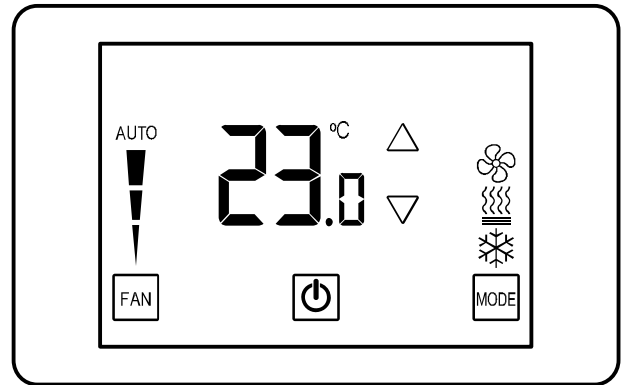
## 1.1 Turning the unit ON or OFF

---

- Press the  button to turn the unit ON – system mode and fan speed symbols will appear on display.
- Press again to turn the unit OFF – the symbols will disappear.





Unit OFF




Unit ON

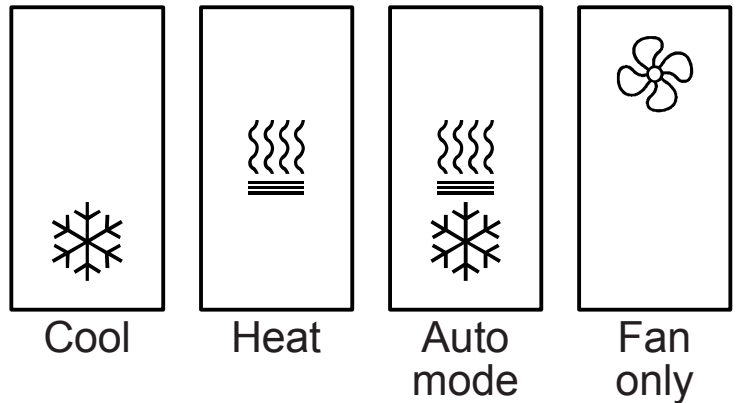
## 1.2 Adjusting the set-point temperature

---



- While the thermostat is ON, press the  or  buttons – the set-point temperature will flash.
- Press again to adjust the set point.

### 1.3 Switching between system modes

- Press the  button to switch between system modes:



Notes:

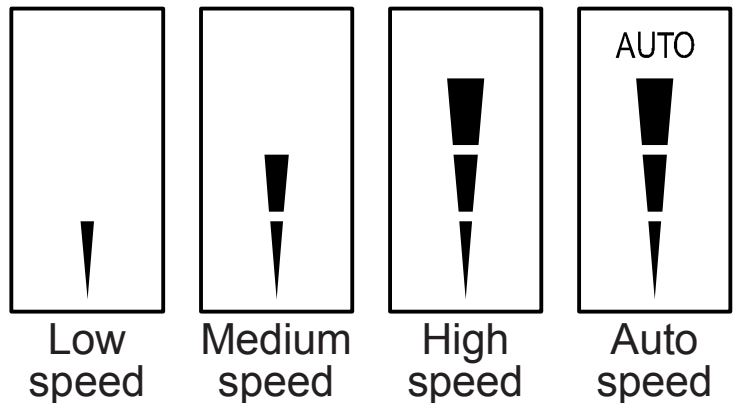
- During demand for cooling (cooling active), the  will flash.
- During demand for heating (heating active), the  will flash.

The selection of system modes may be disabled depending on type of the CTU main board connected to the panel.

### 1.4 Switching between fan speeds

- Press the  button to switch between fan speeds:

Note: When Auto speed is selected, the word "AUTO" and the active fan speed



will appear on display

The selection of fan speeds may be disabled depending on the type of the CTU main board connected to the panel.

## 1.5 Fan on demand (Auto fan)

---

- Press and hold the  button to activate or deactivate fan on demand (Auto fan) function.

Notes:

- When activated, the fan will run with demand for cooling or heating.
- The fan on demand function cannot be activated with “Fan only” mode.



This option may be disabled, depending on the type of the CTU main board connected to the panel.

## 1.6 Faults

---

F8 – Communication fault with the CTU main board

Check wiring connection between the CTU and the room panel and verify the DIP Switches configuration.

Note: Depending on CTU type, some other symbols may appear on the display,

## 2. Installation Instructions

---

The MTS/X500 Room panel is designed for flush mounting in the room to be controlled. It should be located where the occupant can easily read the display and use the controls.

If the built in temperature sensor is being used to measure room temperature, the panel should be placed where the temperature is representative of the general room conditions, away from cold or warm air draughts, radiant heat and direct sunlight.

The panel should not be installed on an outside wall.

- The standard installation height is 1.5 meter (5 feet) from the floor.



**WARNING:** Risk of Electric Shock and Property Damage.  
Disconnect power supply before making electrical connections.  
The installation is to be performed by a qualified electrician.



**WARNING:** The integrated circuits in the controller are sensitive to static currents. Take suitable precautions.

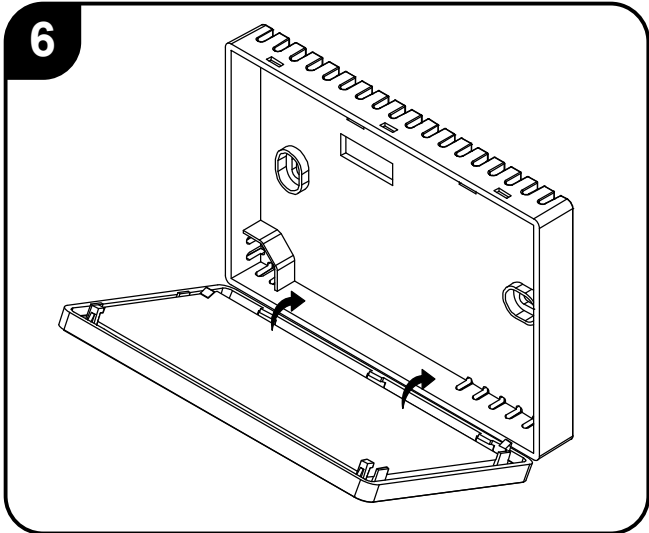
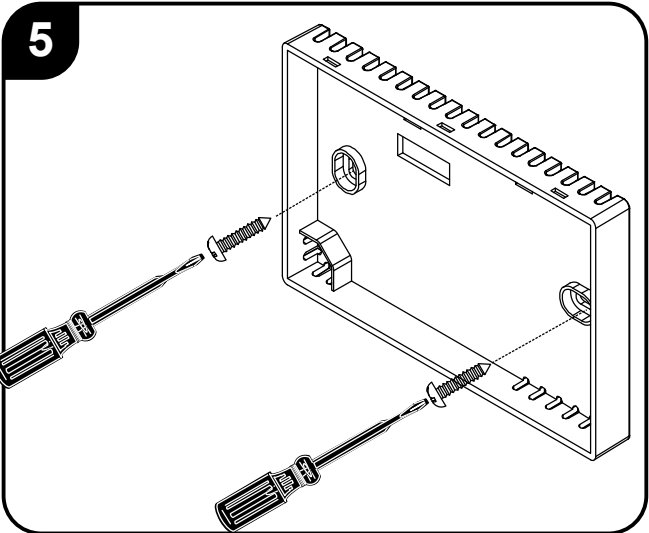
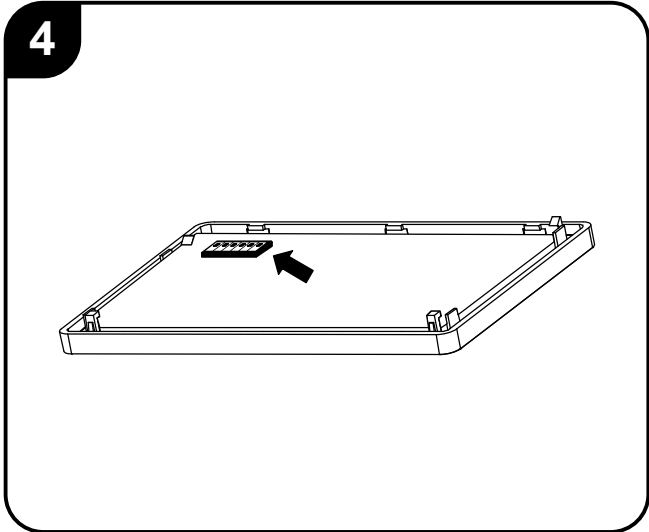
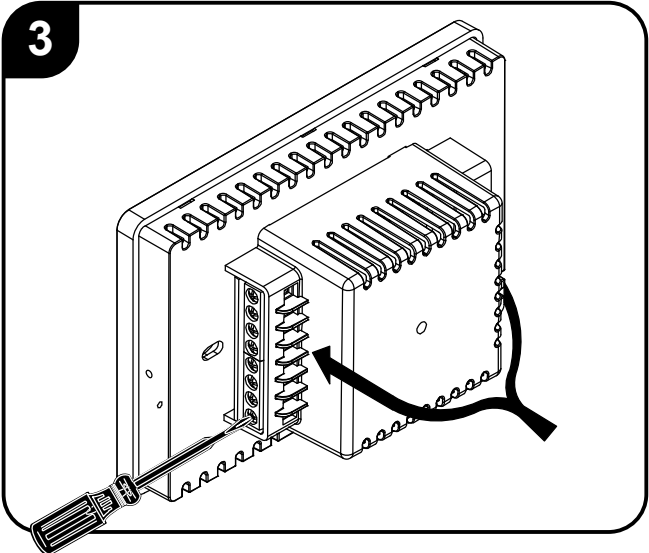
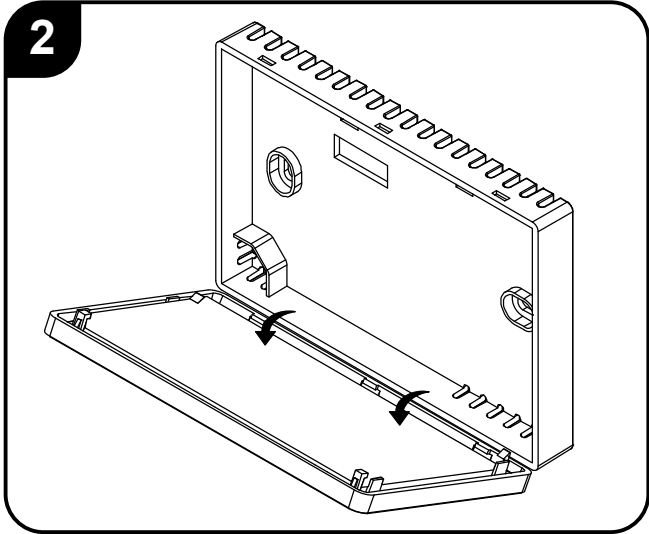
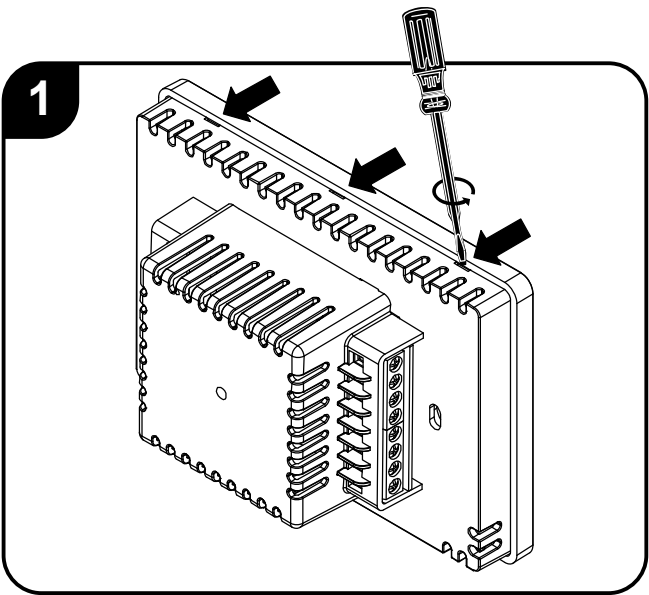
## 2. Installation Instructions (cont')

---

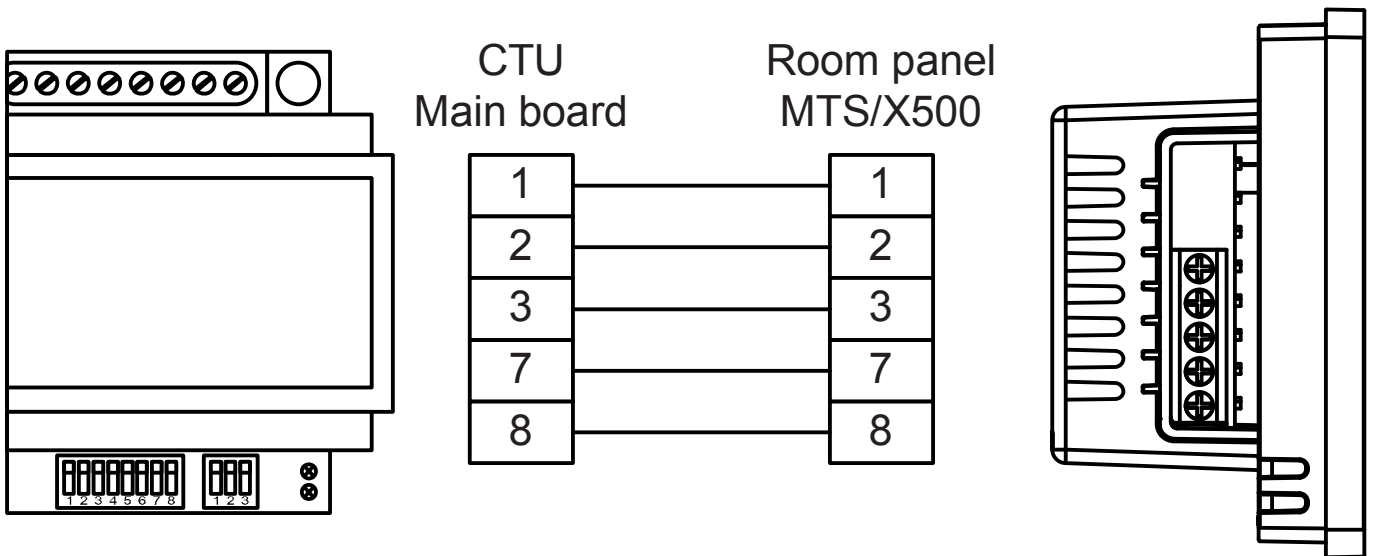
Installation procedure:

1. separate the front display from the back plastic cover by inserting a small flat screwdriver into each of the three slots as shown in the picture and rotating it gently.
2. Remove the front display and keep it in a safe place.
3. Connect the wires as shown in the enclosed wiring diagram. All terminals accept 1x0.5mm<sup>2</sup>/24 AWG.
4. If necessary, make changes to the DIP switches position as explained in this manual.
5. Place the thermostat in the electrical box and tighten up the 2 screws (Gewiss Box - GW 24 203).
6. Adapt the front frame-panel into its place, by pushing it towards the wall.

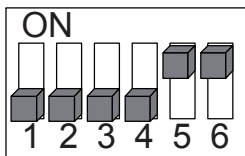
## 2. Installation Instructions (cont')



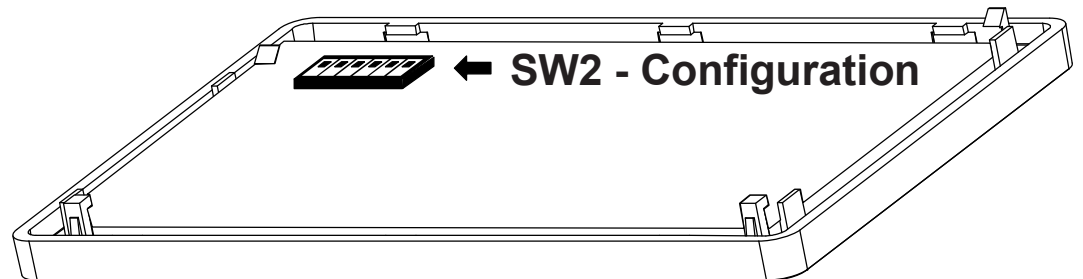
### 3. Wiring diagram



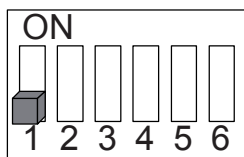
### 4. DIP Switch settings



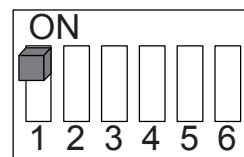
**\*Default**



**Switch 1 – Temperature readings from CTU or fom room panel**



Switch OFF  
Readings from  
room panel  
(default)



Switch ON  
Readings from  
CTU

Switch 2 – Always OFF

Switch 3 – Always OFF

Switch 4 – Always OFF






Switch 5 – Always ON

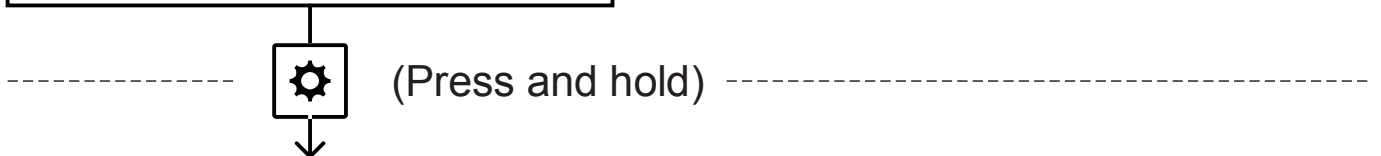
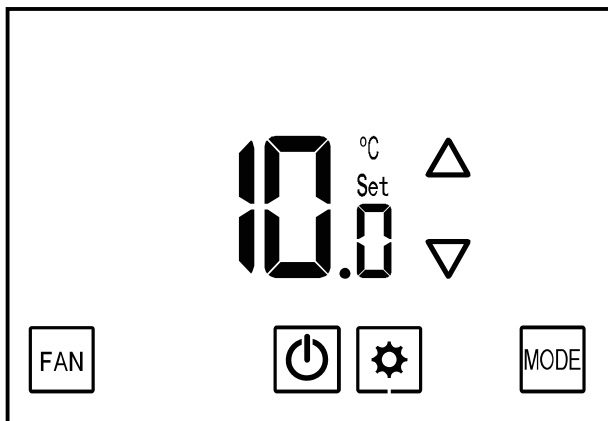
Switch 6 – Always ON

## 5. Technician Settings

---

### Enter technician settings

- Adjust the set-point temperature to 10°C – the button  will appear on display.
- To enter technician settings, press and hold the  button for 5 seconds.
- Use the  button to advance to the next parameter.
- Use the  button to return to return to the previous parameter.
- Press the  button or wait 60 seconds to exit technician settings and return to normal display.



## 5. Technician settings (cont')

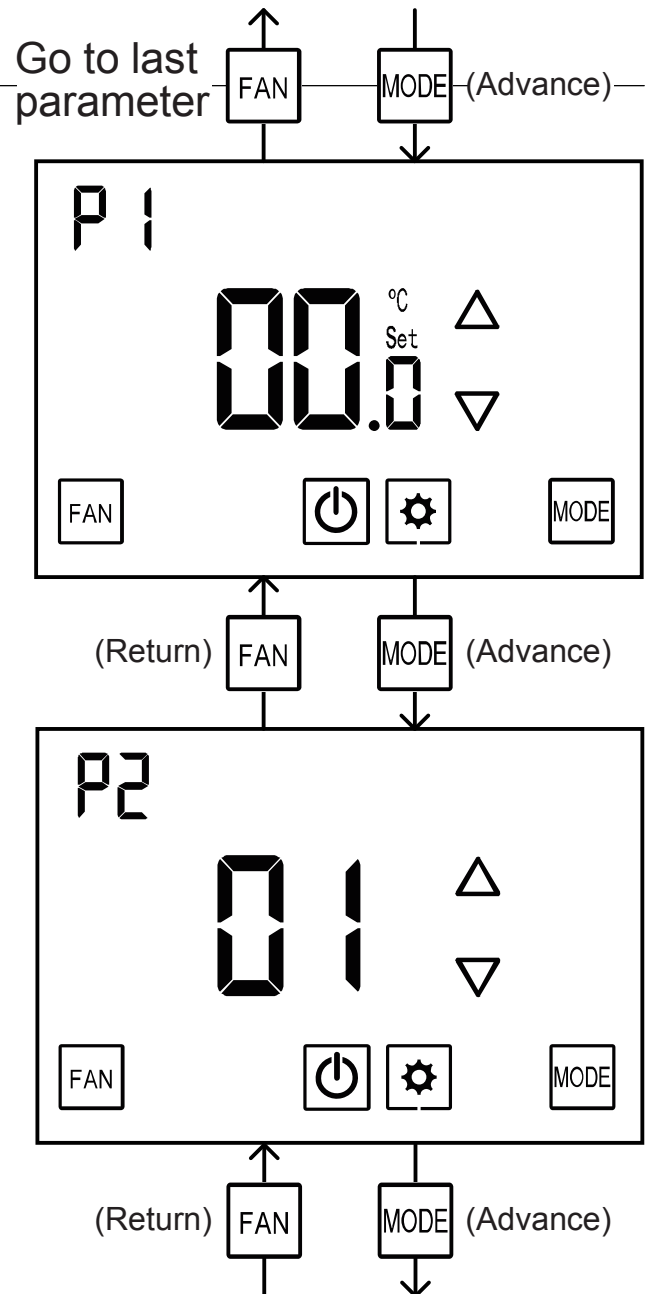
### P1 Temperature readings calibration offset

- Use the ▽ and △ buttons to adjust the offset
- Range: -6°C...+6°C, default 0°C

### P2 Enable/Disable screen dimming

- Using the ▽ and △ buttons, select between:  
00 – Disable screen dimming  
01 – Enable dimming (default)

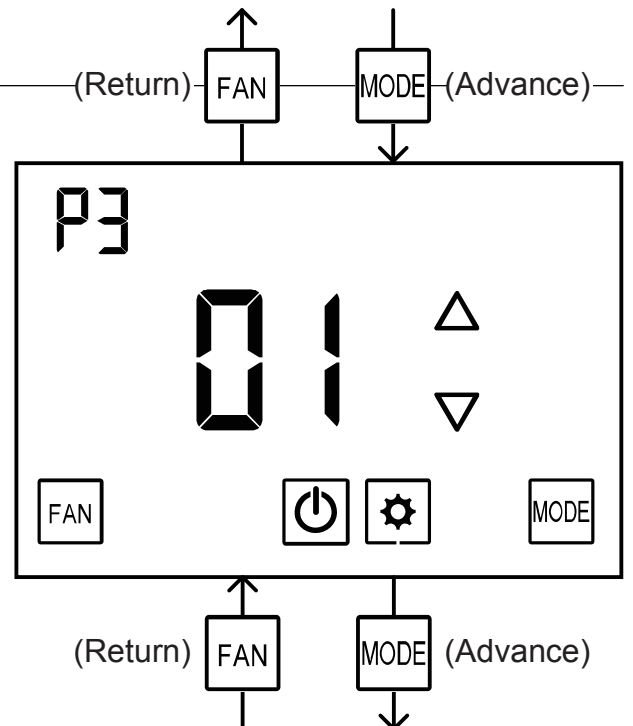
If no key is pressed, during the time set in parameter P3, the display will dim



## 5. Technician settings (cont')

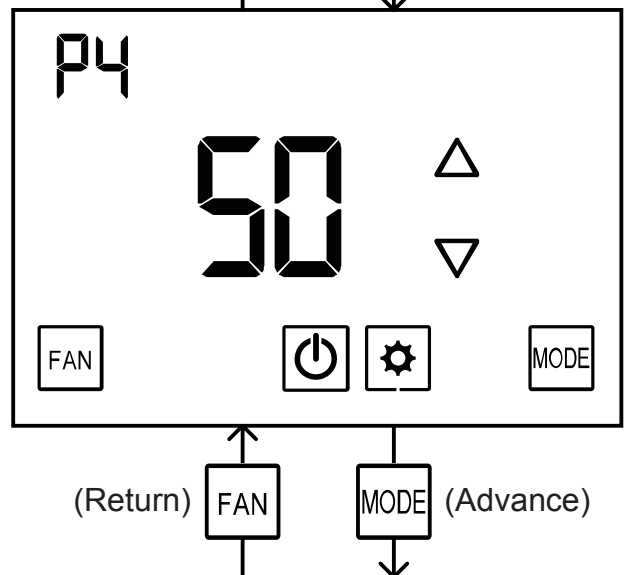
### P3 Screen dimming time delay

- Using the ▽ and △ buttons, adjust the time delay before the screen will dim
- Range: 0...99 min., default: 1 min.



### P4 Dimming percentage value

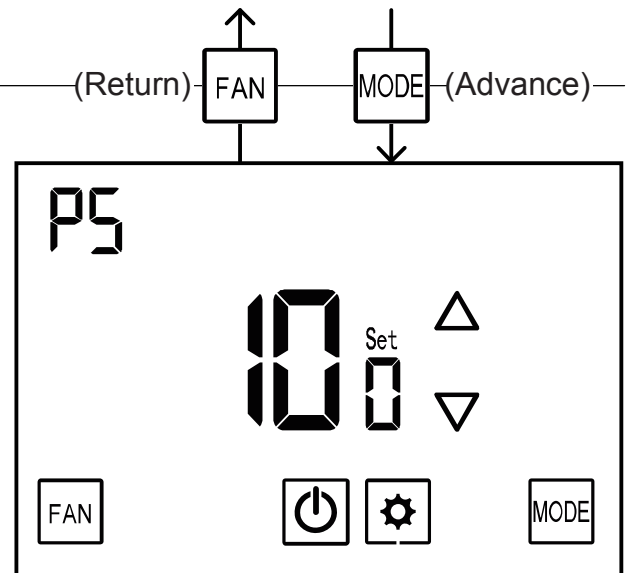
- Using the ▽ and △ buttons, adjust the dimming percentage value
- Range: 10...90%, default: 50%



## 5. Technician settings (cont')

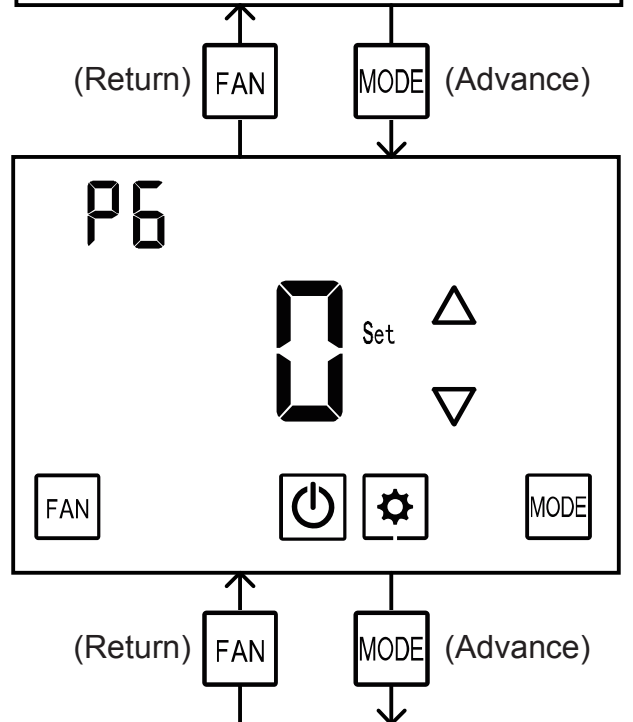
### P5 Display brightness

- Using the ▽ and △ buttons, adjust the time display brightness
- Range: 50...100%, default: 100%



### P6 Show/Hide lighting button

- Using the ▽ and △ buttons, select between:
  - 0 – Hide the lighting button (default)
  - 1 – Show the lighting button

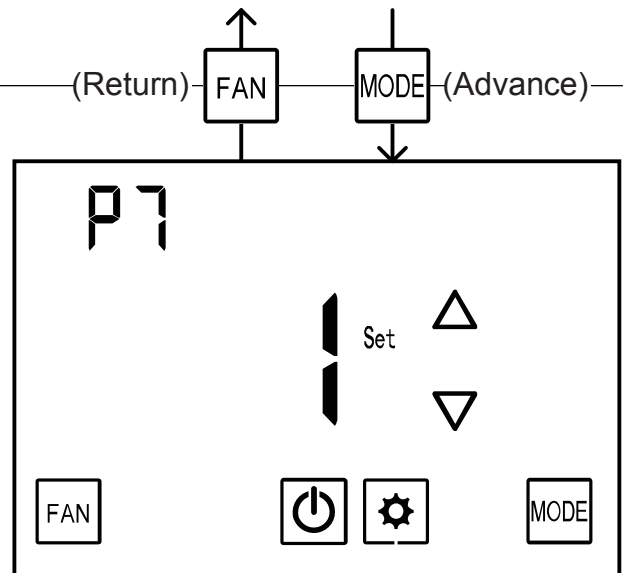


Note: the lighting button will only be available with some CTU types. It will never appear on display when the CTU does not support the lighting feature


## 5. Technician settings (cont')

### P7 Enable/Disable the beeper

- Using the ▽ and ▲ buttons, select between:
  - 0 – Disable the beeper
  - 1 – Make the panel beep whenever a button is pressed



Press the  button to return to parameter P1.

Press the  button or wait 60 seconds to exit technician settings mode and return to normal display.

Important! Reset the set-point temperature to the desired value

